

Stratus Tool Technologies, LLC
OIL FILTER ADAPTER
P/N'S
C6LC-L, C6LC-S, C6SC
C6LC-11/15, CO-300, TAF-L

**INSTRUCTIONS
FOR
CONTINUED AIRWORTHINESS**



C6LC-L



C6LC-S



C6SC



C6LC-11 / 15



CO-300



TAF-L



RECORD OF REVISIONS

Revision	Revision Date	Description of revision
-	04/06/2017	Initial release
A	08/02/2017	Added text, Drawings, and table

List of Effective Pages

Revision	Revision Date	Description of revision
-	04/06/2017	Initial release
A	08/02/2017	ALL PAGES, Added text, Drawings, and table



Instructions for Continued Airworthiness

1. DESCRIPTION

This modification removes the oil screen and replaces it with an oil filter adapter.

2. CONTROL, OPERATION INFORMATION / SPECIAL PROCEDURES

Refer to table 1 on page 6 for applicable installation instructions.

3. SERVICING INFORMATION

The applicable installation instructions contain the information necessary to perform maintenance.

4. MAINTENANCE INSTRUCTIONS

At each oil change and each 100 hour or annual inspection:

- a) Reference page 5 for C style and TAF adapters: Inspect the oil filter adapter for oil seepage. If oil seepage is detected, replace the fiber and copper gaskets on the transfer cylinder with new gaskets. Reinstall the adapter in accordance with the applicable Stratus Tool Technologies LLC Installation Instructions. Use of a torque wrench is mandatory when installing or reinstalling the filter adapter. Safety-wire the transfer cylinder **to an appropriate safety-wire location on the engine accessory case.** Run the engine and check for oil leaks.
- b) Check safety-wire for proper installation and security. **Do not safety-wire the transfer cylinder to the body of the adapter. The transfer cylinder must be safety-wired to an appropriate safety-wire location on the engine accessory case.**
- c) Check and verify that the body does not move (rotate around the transfer cylinder) when 10 to 20 pounds of force is applied to the body in a manner that would tend to rotate it around the transfer cylinder. If the body rotates around the transfer cylinder, remove the safety-wire and tighten the adapter in accordance with the applicable Stratus Tool Technologies, LLC Installation Instructions. Use of a torque wrench is mandatory when tightening the transfer cylinder. Safety-wire the transfer **to an appropriate safety-wire location on the engine accessory case.** Run the engine and check for oil leaks.
- d) Always install new fiber and copper (where used) gaskets each time the filter adapter is removed and reinstalled on the engine. (Ref. page 5)
- e) For TAF style adapters: Ensure that the mounting hardware is securely tightened and that there are no oil leaks.



- f) Use of a torque wrench is mandatory when installing, tightening or reinstalling the filter adapter on the engine.

5. REMOVAL AND REPLACEMENT INFORMATION

Refer to table 1 on page 6 for applicable installation instructions.

6. DIAGRAMS

Refer to CMI's overhaul, service and maintenance instructions for applicable engine Diagrams

7. LIST OF SPECIAL TOOLS

Refer to table 1 on page 6 for applicable installation instructions.

8. ADDITIONAL INFORMATION FOR COMMUTER CATEGORY AIRCRAFT

Not Applicable.

9. RECOMMENDED OVERHAUL PERIODS

"Recommended time between overhaul for the Stratus Tool Technologies LLC. oil filter adapters is the same as identified in CMI data for the affected engine models. Refer to CMI's service instructions for engine overhaul."

REVISIONS

Any Revisions to this document will be logged in the Log of Revisions sheet and a copy of the revised document should be distributed as required.

11. Airworthiness Limitations

NOTE: The Airworthiness Limitations section is FAA approved and specifies maintenance required under Parts 43.16 and 91.403 of the Federal Aviation Regulations unless an alternative program has been FAA approved.

There are no mandatory replacement times for any components.

END

For additional information, please call 843-991-1199 or visit

www.tempestplus.com .

Stratus Tools Technologies
90 Glenda Trace Suite F, Box 352 Newnan, Ga. 30265



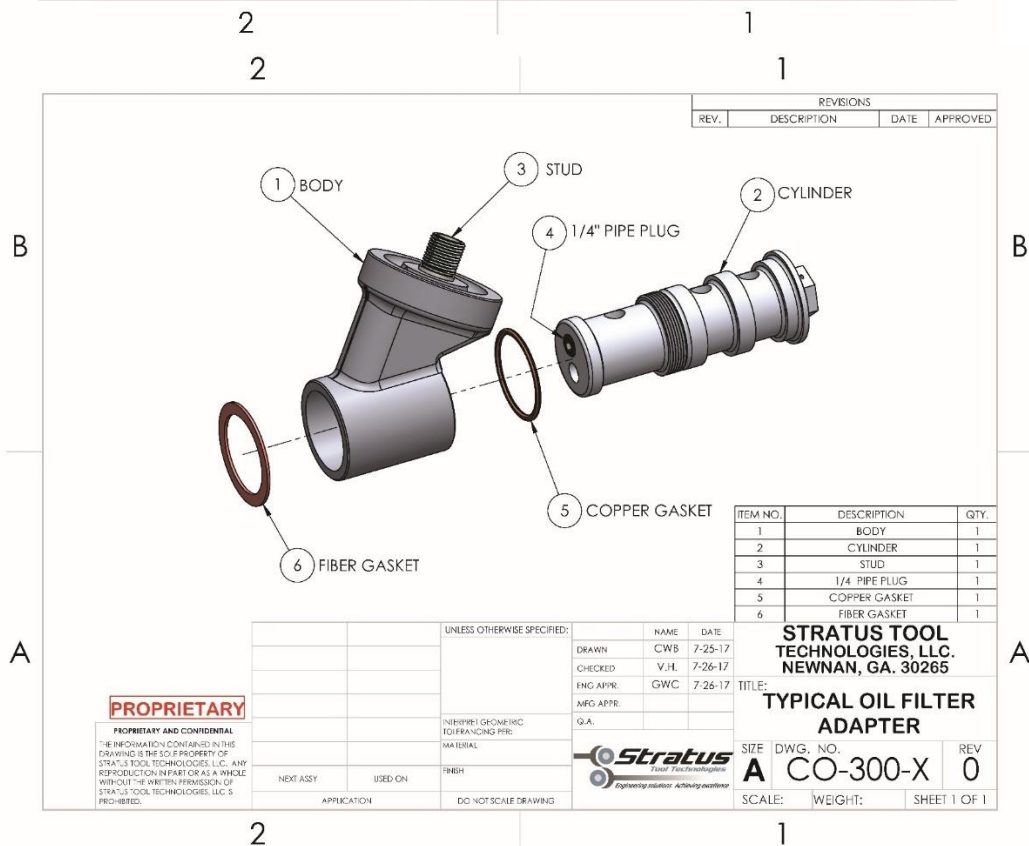
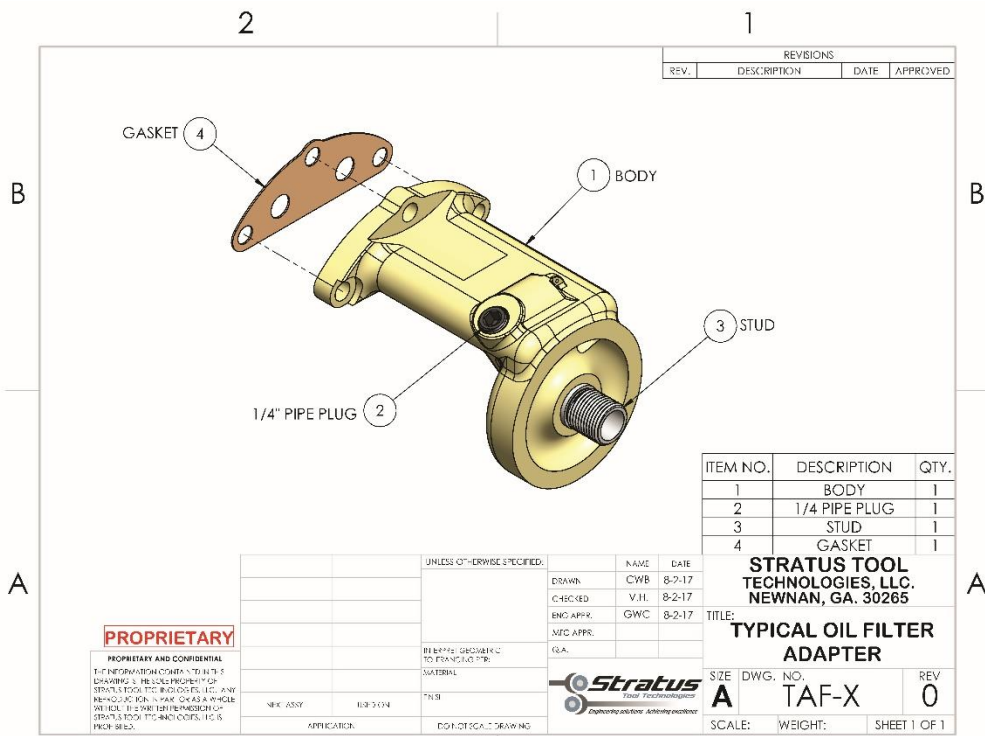


Table 1

FAA Supplemental Type Certificate Stratus Tool Technologies, LLC Oil Filter Adapters						
STC Number	Stratus P/N	STC Approved Engine Model List (AML)	Ref Engine Operation Manual	Ref Engine Overhaul Manual	Stratus Installation Document Number	
SE7559SW	TAF-Long	CMI C-75, C-85, C-90 Series	CMI X30012	CMI X30010	ST007	
		O-200 Series	CMI X30012	CMI X30010	ST007	
SE8409SW	CO-300	CMI C-125, C-145 Series	CMI X30015	CMI X30013	ST006	
		CMI-300 Series	CMI X30015	CMI X30013	ST006	
	C6SC					
		CMI GO-300 Series	CMI X30021	CMI X30019	ST004	
		CMI IO-360 Series	CMI X30617	CMI X30594	ST004	
		CMI TSIO-360 Series	CMI X30583	CMI X30596	ST004	
SE09356SC	C6LC-L C6LC-S	CMI O-470 Series	CMI X30097	CMI X30586	ST002 (-L) ST003 (-S)	
		CMI IO-470 Series	CMI X30024	CMI X30588	ST002 (-L) ST003 (-S)	
		CMI IO-520 Series	CMI X30041	CMI X30039	ST002 (-L) ST003 (-S)	
		CMI IO-550 Series	CMI X30605	CMI X30607	ST002 (-L) ST003 (-S)	
		CMI TSIO-520 Series			ST002 (-L) ST003 (-S)	
SE10348SC	C6LC-11/15	CMI O-470-11	*TM 1-2R-0470-2	*TM 1-2R-0470-3	ST005	
		CMI O-470-15	*TM 1-2R-0470-26	*TM 1-2R-0470-23	ST005	
Notes:						
1) * denotes military technical manual						
2) CMI denotes engine TCDS holder Continental Motors Inc., formerly Teledyne Continental Motors						

